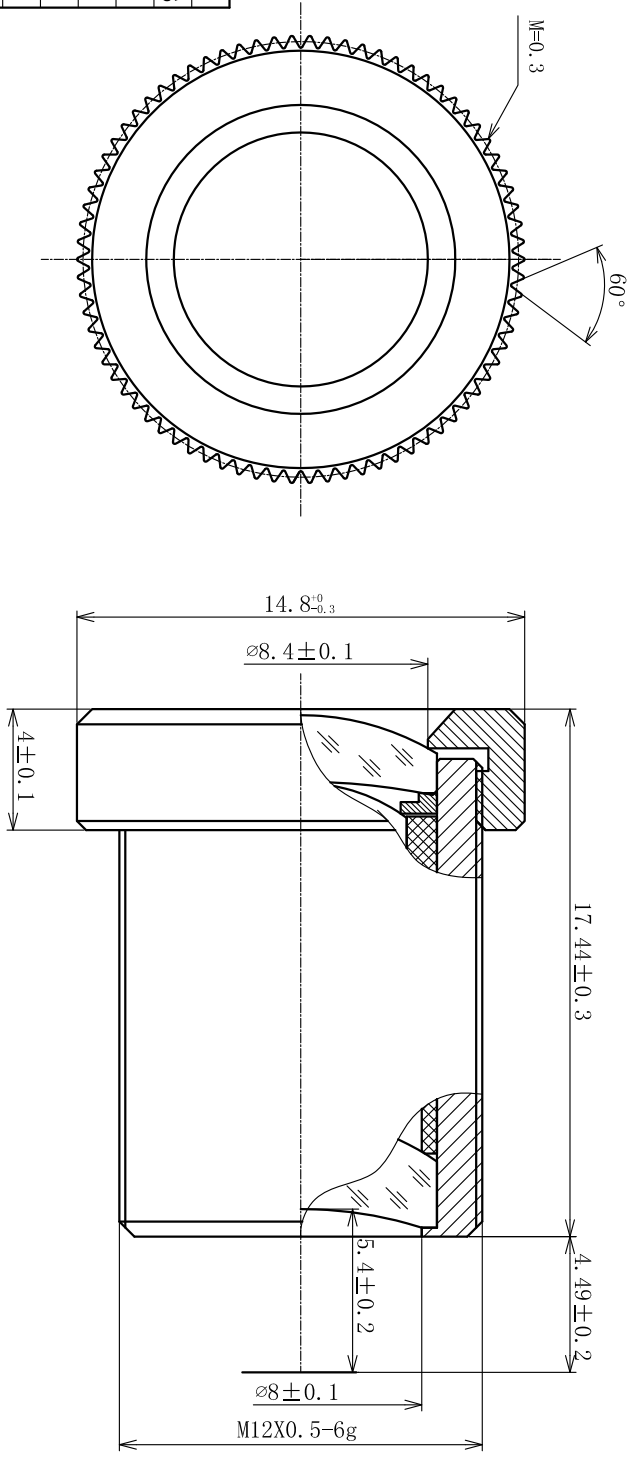


PART NO. M13B0818IRR2 REV. 0

SPECIFICATION

Sensor Type	1/3.0 CCD/CMOS
Focal Length	8.0mm
FNo.	1.8
Optical FOV	D 45°
	H 35.5°
	V 26°
Back Focal Length	5.4mm
Lens Effective Diameter	Front Ø8.4mm
	Back Ø8mm
OP Distortion	
Resolution	MP
Relative Illumination	
Iris	Fixed
Max Chief Ray Angle	
M.O.D	0.2m
Mount	M12X0.5-6g
Weight	g



REV.	DATE	DESCRIPTION	REVISED	APPR.	APPR.	NAME	DATE
3							
2						DRAWN	
1			YWB	MCY	AUDI	CHECKED	
0	13.12.12	新機作成					

UNLESS TOLERANCE

Single Part Size ± 0.1 | Portfolio Size ± 0.2

3RD ANGLE PROJECTION

厦门力鼎光电技术有限公司
Xiamen Leading Optics Co., Ltd.