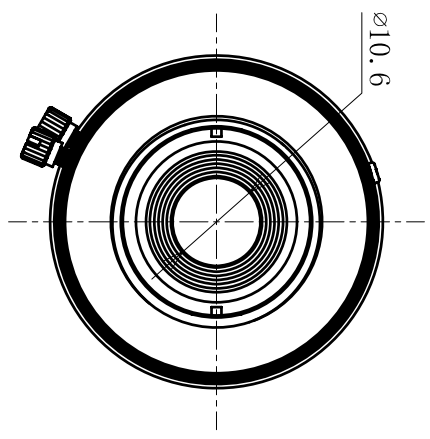
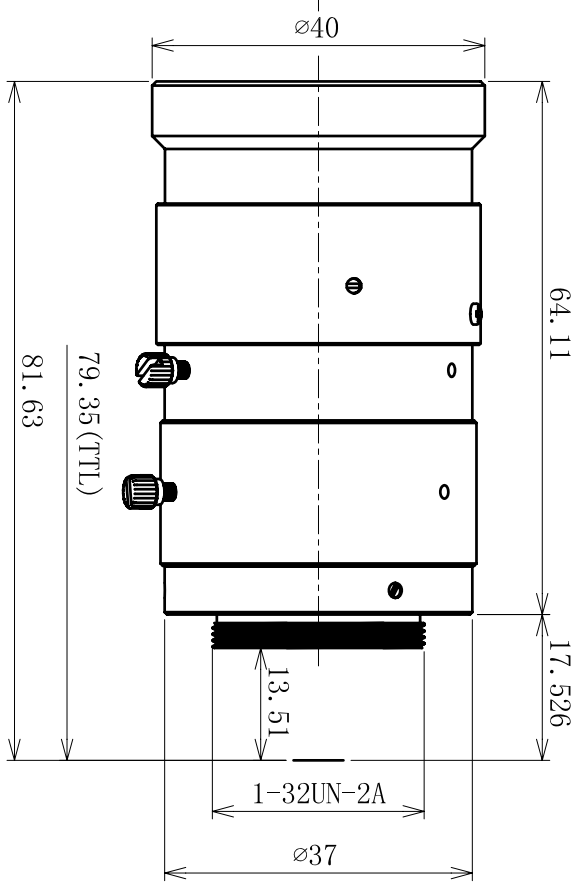
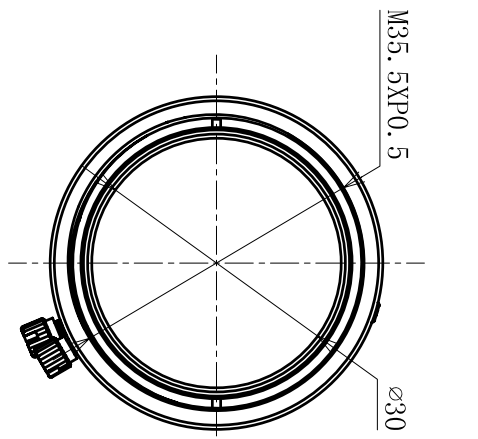


PART NO.	MV11FM75C	REV.	0
-----------------	------------------	-------------	----------



SPECIFICATION

Sensor Type	1" CCD/CMOS	
Focal Length	75mm	
FNo.	2.8	
Optical FOV	D	11.4°
	H	9.2°
	V	6.9°
Back Focal Length	17.66mm	
Lens Effective Diameter	Front	Ø30.00mm
	Back	Ø10.60mm
OP Distortion	0.2%	
Resolution	MP	
Relative Illumination	>80%	
Iris	Manual	
Max Chief Ray Angle	8.3°	
M.O.D	0.6mm	
Mount	1-32UN-2A	
Weight	g	

REV.	DATE	DESCRIPTION	REVISED	APPR.	APPR.	NAME	DATE
3							
2						DRAWN	
1						CHECKED	
0	13.11.23	新規作成	X.L			AUDL.	

厦门力鼎光电技术有限公司
Xiamen Leading Optics Co., Ltd.

UNLESS TOLERANCE

Single Part Size:±0.1 Portfolio Size:±0.2 3RD ANGLE PROJECTION

