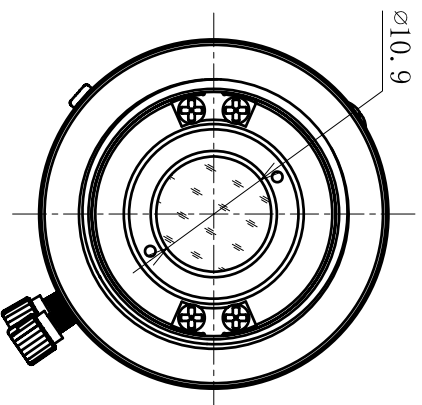
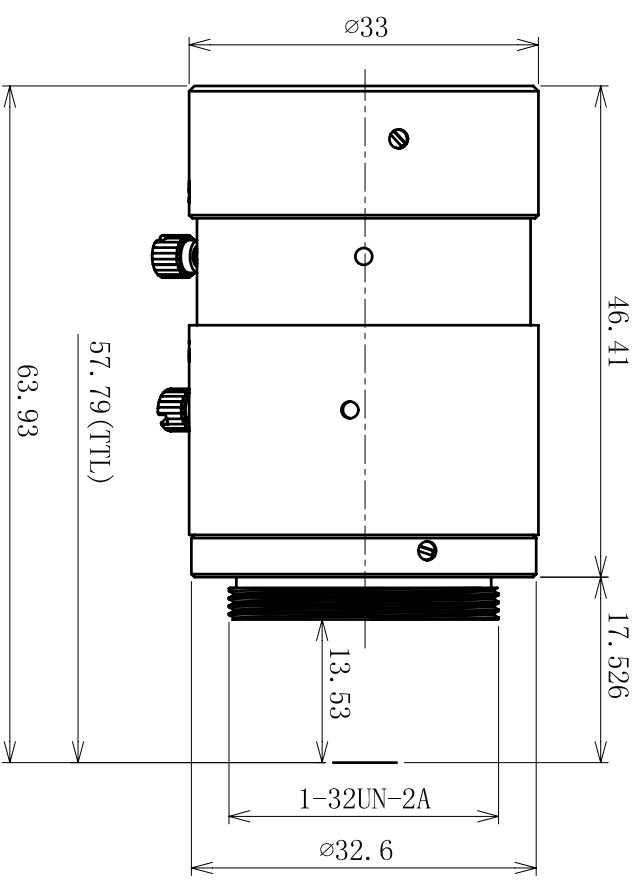
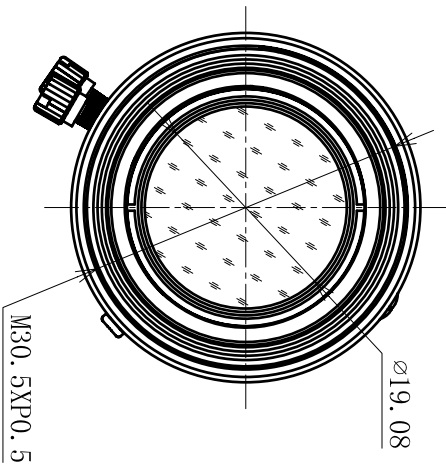


PART NO.	MV23FM50C	REV.	0



SPECIFICATION

Sensor Type	2/3" CCD/CMOS
Focal Length	50mm
FNo.	2.5
	D 12°
	H 9.7°
Optical FOV	V 7.3°
Back Focal Length	18.25mm
Lens Effective Diameter	Front Ø19.08mm
	Back Ø10.90mm
OP Distortion	0.1%
Resolution	MP
Relative Illumination	>76.6%
Iris	Manual
Max Chief Ray Angle	7.97°
M.O.D	0.5mm
Mount	1-32UN-2A
Weight	g

Electronic pin Specification

REV.	DATE	DESCRIPTION	REVISED	APPR.	APPR.
3					
2					
1					
0	13.11.23	新规范作成	XLL		

NAME

DATE

厦门力鼎光电技术有限公司
Xiamen Leading Optics Co., Ltd.

UNLESS TOLERANCE

Single Part Size:±0.1 Portfolio Size:±0.2



10 9 8 7 6 5 4 3 2 1