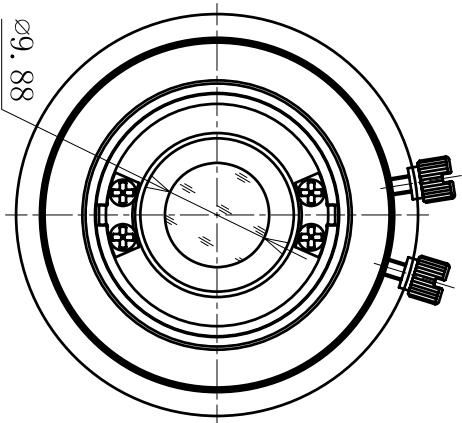
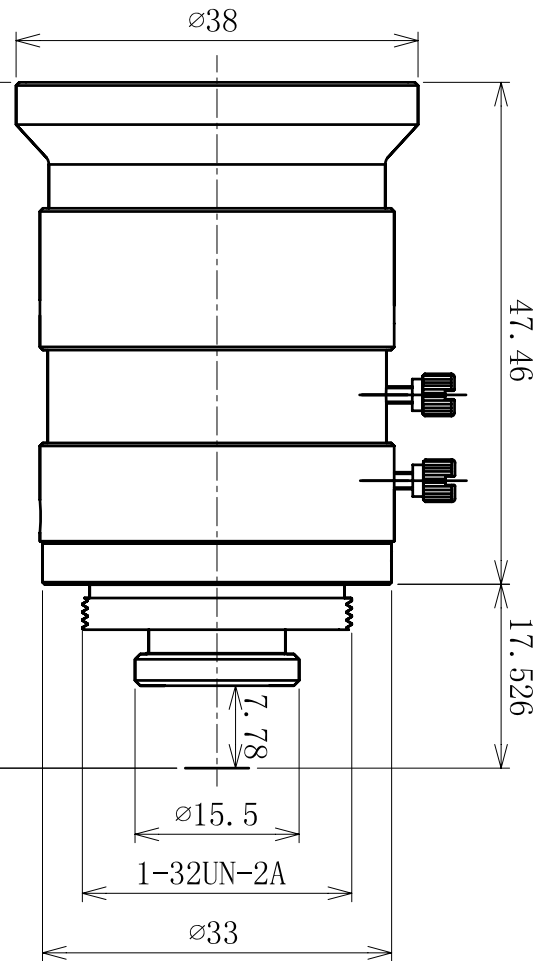
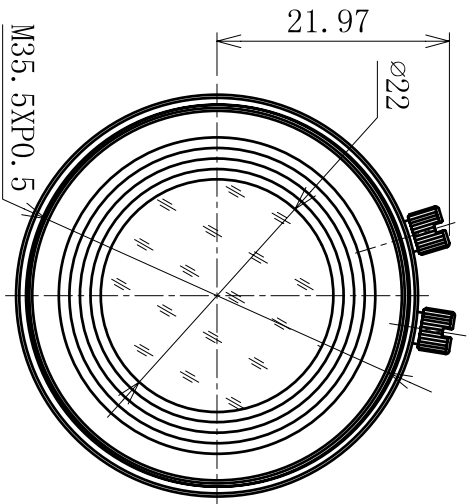


PART NO. MV118FM06C REV. 0



SPECIFICATION

Sensor Type 1/1.8" CCD/CMOS

Focal Length 6mm

F.No. 1.6

D 70.5°

H 59°

V 46°

Back Focal Length 7.80mm

Lens Effective Diameter Front Ø22.00mm

Back Ø9.88mm

OP Distortion -2%

Resolution MP

Relative Illumination >61.3%

Iris Manual

Max Chief Ray Angle 17.86°

M.O.D 0.1mm

Mount 1-32UN-2A

Weight 9g

Electronic pin Specification

REV.	DATE	DESCRIPTION	REVISED	APPR.	APPR.	NAME	DATE
3							
2						DRAWN	
1						CHECKED	
0	13.11.23	新規作成	X.L			AUDL.	

厦门力鼎光电技术有限公司
Xiamen Leading Optics Co., Ltd.

UNLESS TOLERANCE

Single Part Size:±0.1 Portfolio Size:±0.2 3RD ANGLE PROJECTION

