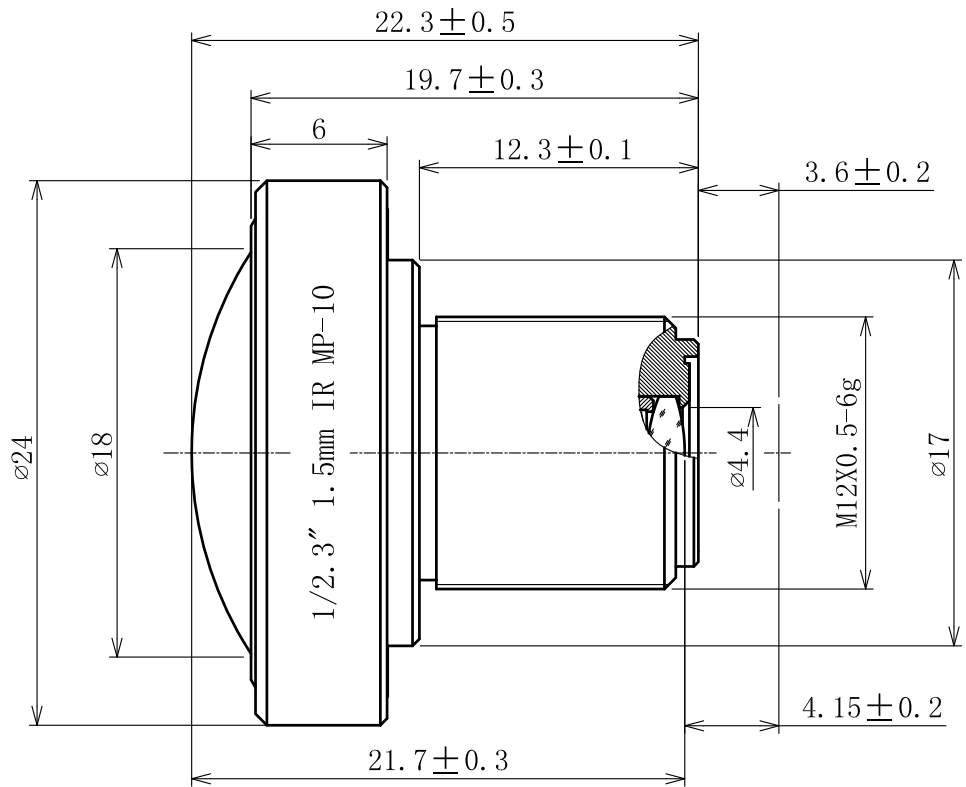


| | | |
|----------|---------------|------|
| PART NO. | F123B015IRM12 | REV. |
| | | 00 |



SPECIFICATION

| | | |
|-------------------------|---------------------|---------------------|
| Sensor Type | 1/2.3" CCD/CMOS | |
| Image Circle | $\varnothing 4.3mm$ | |
| Focal Length | 1.5mm | |
| F No. | 2.8 | |
| Optical FOV | D | 180° |
| | H | 180° |
| | V | 180° |
| Back Focal Length | 4.15mm | |
| Lens Effective Diameter | Front | $\varnothing 18mm$ |
| | Back | $\varnothing 4.4mm$ |
| OP Distortion | -99.9% | |
| Resolution | Mega Pixel | |
| Relative Illumination | 76% | |
| Iris | Fixed | ③ |
| Max Chief Ray Angle | 9.2° | ② |
| M.O.D | 0.1m | ① |
| Mount | M12x0.5-g | ④ |
| Weight | g | |

| | | | | | | | |
|------|------|-------------|---------|-------|-------|------|------|
| REV. | DATE | DESCRIPTION | REVISED | APPR. | APPR. | NAME | DATE |
| | | | | | | | |
| | | | | | | | |
| | | | | | | | |
| | | | | | | | |
| | | | | | | | |
| | | | | | | | |
| | | | | | | | |
| | | | | | | | |
| | | | | | | | |

厦门力鼎光电技术有限公司
 Xiamen Leading Optics Co., Ltd.

UNLESS TOLERANCE

Single Part Size, ± 0.1 Portfolio Size, ± 0.5

3RD ANGLE PROJECTION